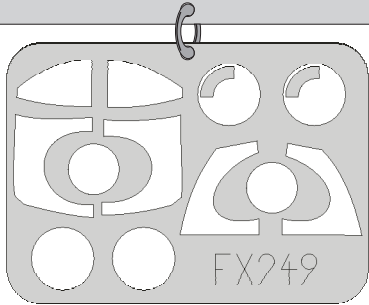


eduard
MASK

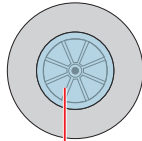
EX 249

J-35 Draken 1/48

The die-cut mask for accurate canopy frame painting of the
Hasegawa scale 1/48 KIT

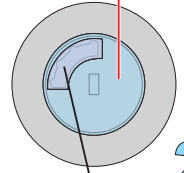


L15



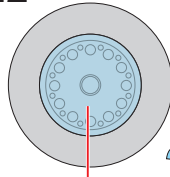
2x

L17,20

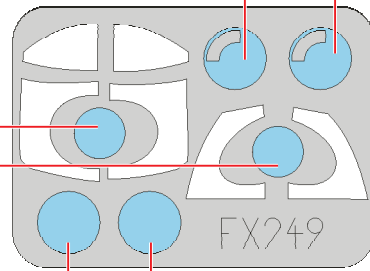


2x

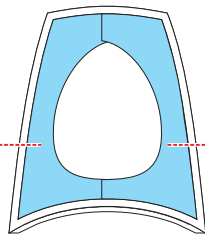
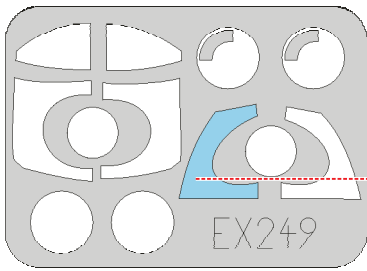
M2



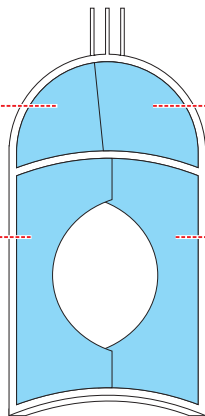
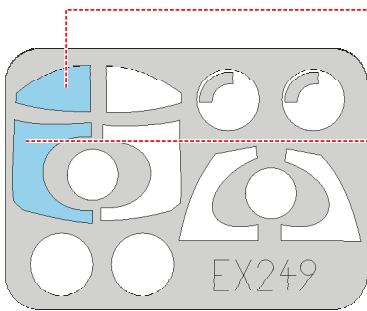
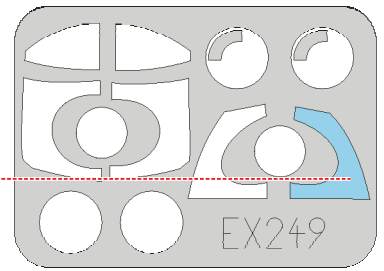
2x



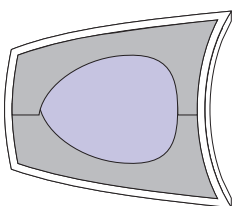
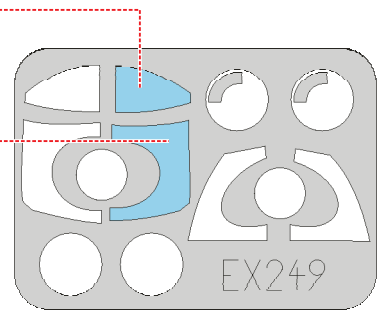
LIQUID MASK



R1

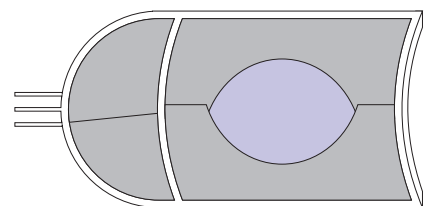


R2



R1

LIQUID MASK



R2