

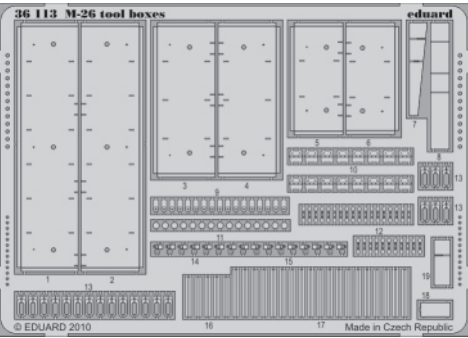


M-26 tool boxes

eduard

36 113

1/35 scale detail set for Hobby Boss kit • sada detailů pro model 1/35 Hobby Boss



- APPLY EXPRESS MASK AND PAINT BEFORE GLUING
POUŽIT EXPRESS MASK NABARVIT PŘED SLEPENÍM
- SYMMETRICAL ASSEMBLY
SYMETRICKÁ MONTÁŽ
- REMOVE
ODSTRANIT
- GRIND
OBROUSIT
- DRILL HOLE
VRTAT OTVOR
- BEND
OHNOUT
- OPTION
VOLBA
- REPLACE
NAHRADIT

ORIGINAL KIT PARTS
PŮVODNÍ DÍLY STAVEBNICE

PHOTO-ETCHED PARTS
LEPTANÉ DÍLY

PARTS TO BE REMOVED
DÍLY K ODSTRANĚNÍ

FILL
TMELIT

Assembly Step 1: Attach photo-etched parts 9 and 16 to the base plate (part 5). **2 pcs.** of part 9 and 16. **F19**

Assembly Step 2: Attach photo-etched parts 10 and 11 to the base plate. **2 pcs.** of part 10. **F22**

Assembly Step 3: Attach photo-etched parts 13, 14, and 15 to the base plate. **F22**

Assembly Step 4: Attach photo-etched parts 12 to the base plate. **2 pcs.** of part 12. **F22**

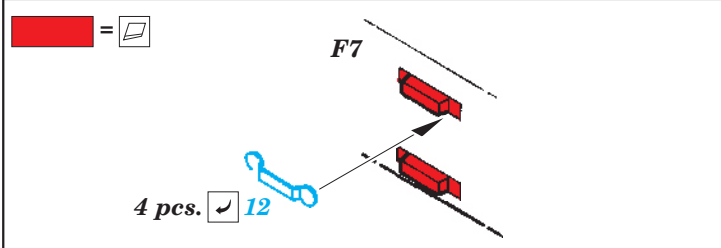
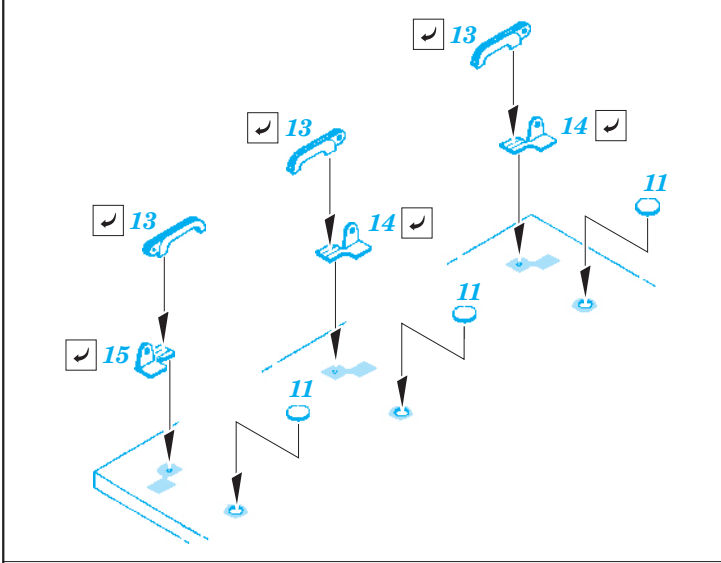
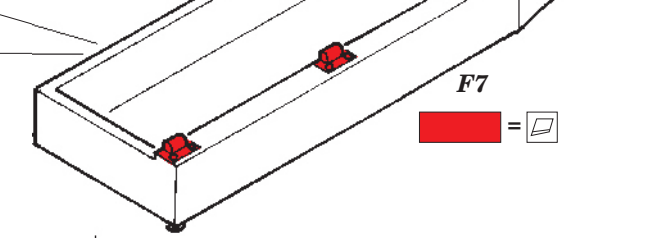
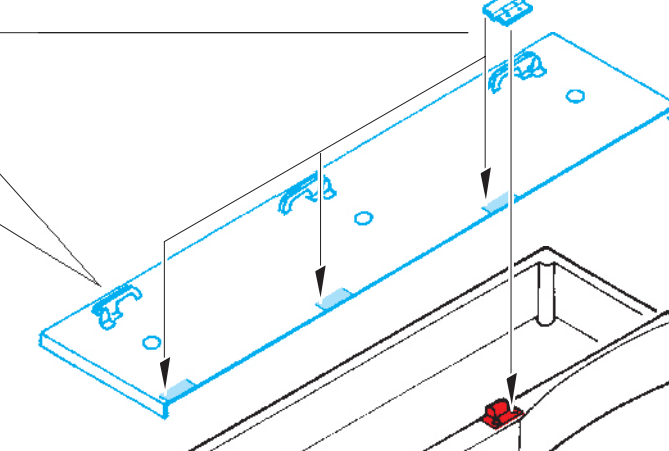
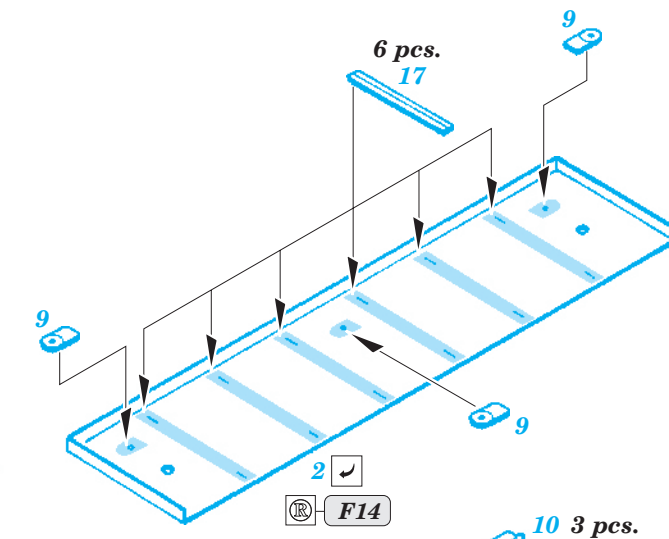
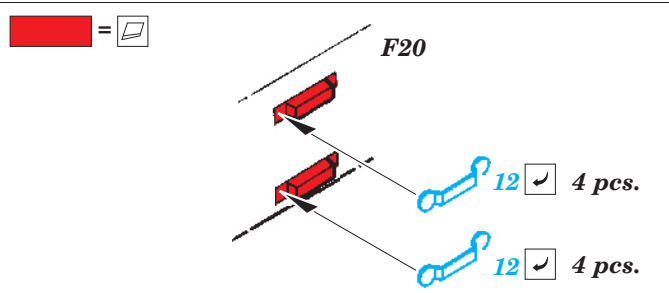
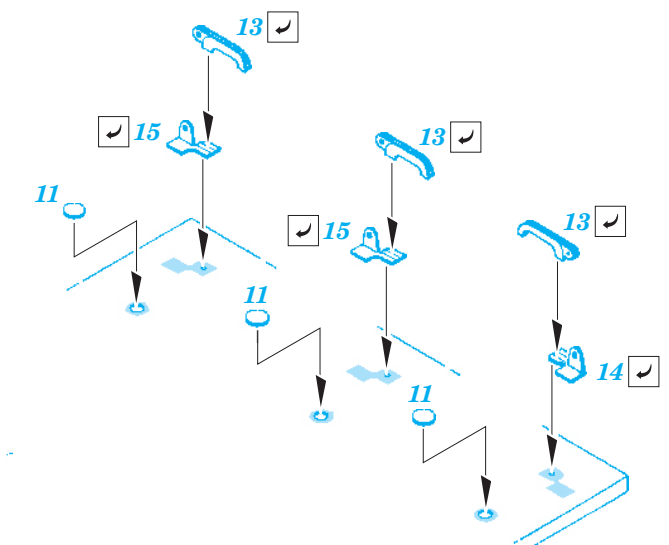
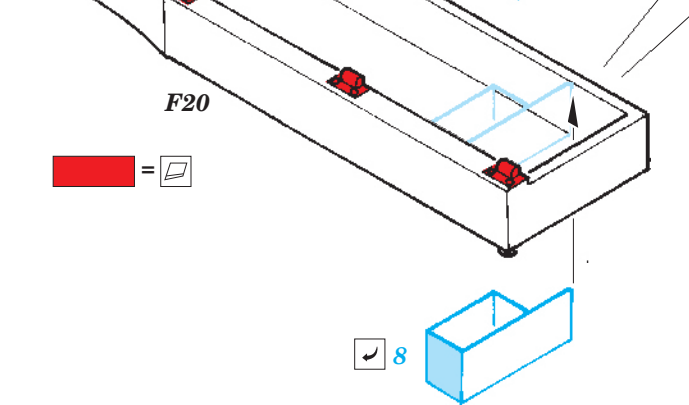
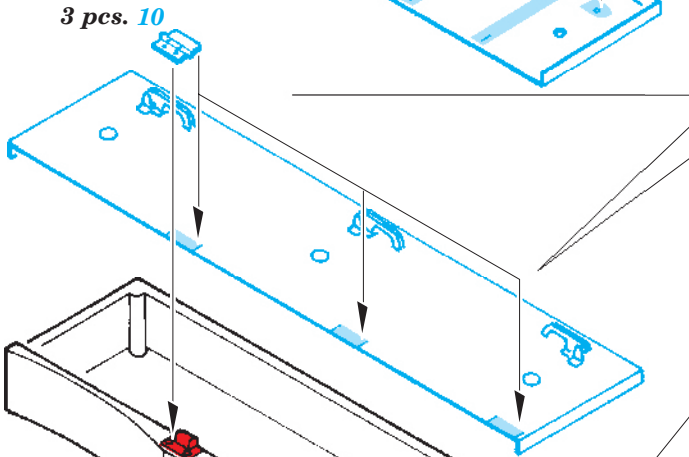
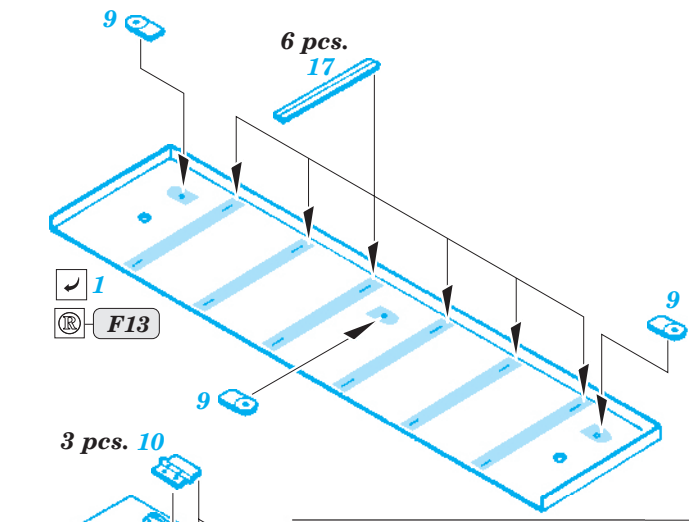
Assembly Step 5: Attach photo-etched parts 19 and 18 to the base plate (part 7). **F22**

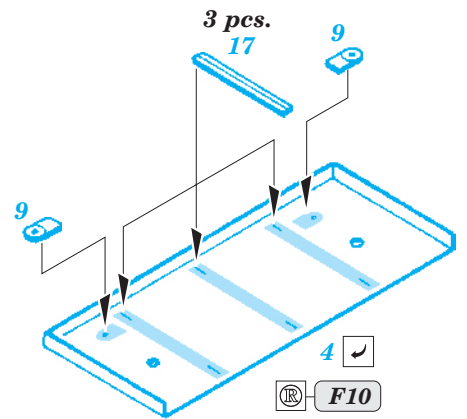
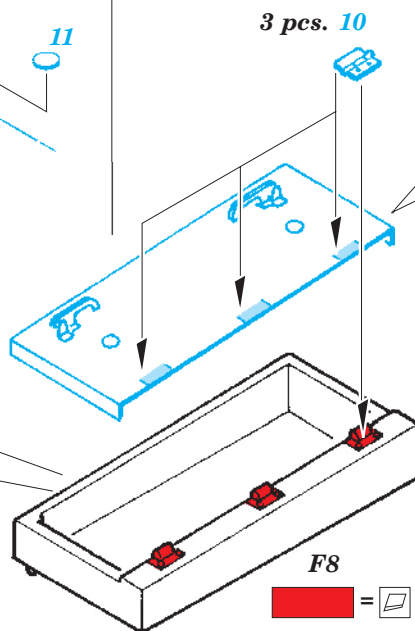
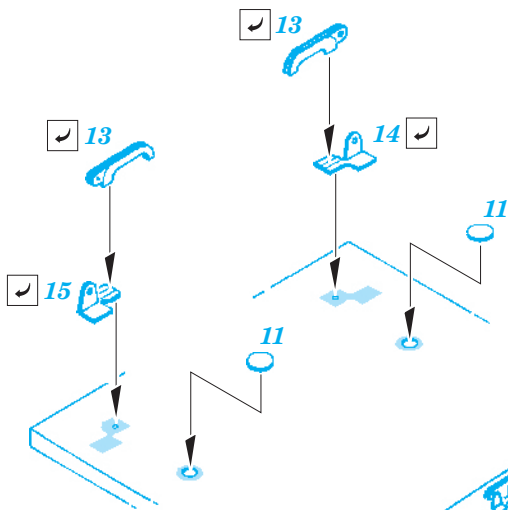
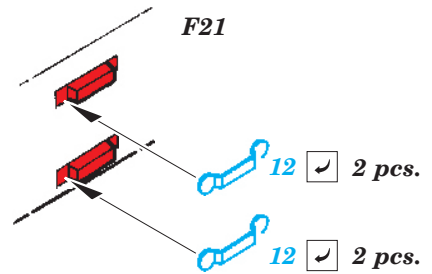
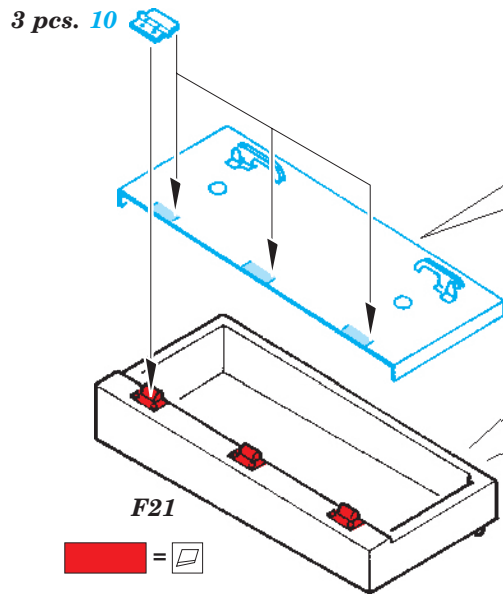
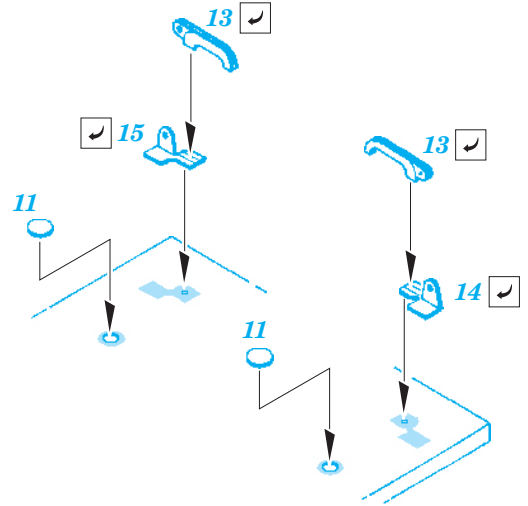
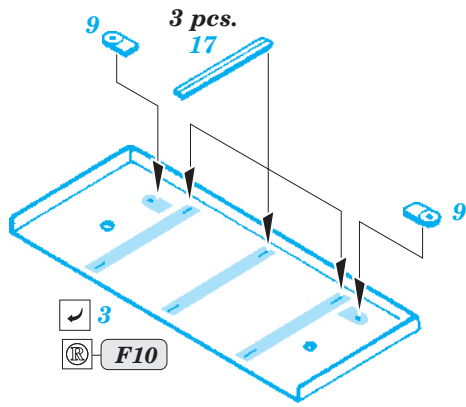
Assembly Step 6: Attach photo-etched parts 13, 14, and 15 to the base plate. **F22**

Assembly Step 7: Attach photo-etched parts 10 and 11 to the base plate. **2 pcs.** of part 10. **F9**

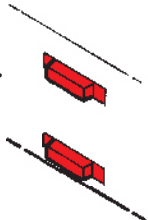
Assembly Step 8: Attach photo-etched parts 9 and 16 to the base plate (part 6). **2 pcs.** of part 9 and 16. **F19**

Legend: = (Parts to be removed)





F8
2 pcs.



For further detail sets look for **eduard** 36 111 M-26
(not included in this set)